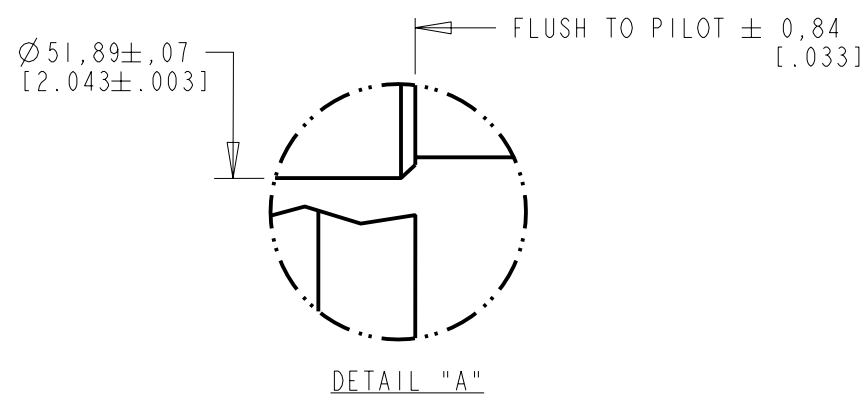


MODEL	L1	L2	L3
960	293,3 [11.55]	164,2 [6.46]	248,9 [9.80]
980	344,1 [13.55]	215,0 [8.46]	299,7 [11.80]

PIN-OUT	
POWER CONNECTOR	
PIN	FUNCTION
U	U
V	V
W	W
-	GND
+	-
-	-
1	-
2	-

PIN-OUT	
ENCODER CONNECTOR	
PIN	FUNCTION
1	SIN +
2	SIN -
3	COS +
4	COS -
5	DATA +
6	DATA -
7-8	-
9-10	-
11	EPWR 9V
12	ECOM
13	TS +
14	TS -
15-17	-



- NOTE:
- DXF OF THIS DRAWING MUST BE SCALED TO LENGTH ON CHART (960). MODEL SHOWN IS MPL-B980x-xJ72AA.
 - 3D STEP (.stp) FILES AVAILABLE AT ALL LENGTHS.
 - COVERS SINGLE AND MULTI-TURN ABSOLUTE ENCODER (i.e. MPL-B9xxx-MJ72AA and MPL-B9xxx-SJ72AA) B960's thru B980's.

REFERENCES		DESCRIPTION	CAD DOCUMENT	
VERSION	UNLESS OTHERWISE SPECIFIED	MPL-B9xx-x72AA, ESM, M58	Allen-Bradley 	
00	DO NOT SCALE DRAWING DIMENSIONS ARE IN MILLIMETERS WITH INCHES REFERENCED [X] UNTOLERANCED DIMENSIONS ARE REFERENCE 3RD ANGLE PROJECTION			
		Rockwell Automation	DR.	EQ
			DATE	2-10-09
			SHEET	1 OF 1
		DXF 2D OR STEP 3D FILE AVAILABLE	DWG. SIZE	B
			DOCUMENT NUMBER	10000046534